

# SEETRONIC

## Product Data Sheet

**Product Type** IP65 Waterproof Power Socket

**Product Model** SAC3FPX-LY(05)

**Customer Name** \_\_\_\_\_

Manufacturer	Prepared	Checked	Approved

Customer	Received	Checked	Confirmed



## Product Data Sheet

<b>Product Type</b>	<b>IP65 Waterproof Power Socket</b>	
<b>Product Model</b>	<b>SAC3FPX-LY(05)</b>	

### Product Features

- Lockable three-core device power-in socket connector with contacts for linear, neutral and pre-adapted safety grounding
- The upgrade version of SAC3FPX which prevents water and air leakage at the same time and best suitable for stage lighting
- Waterproof grade IP65 and protection class IP67 for terminal equipment
- High current capacity rated at 16A/250V AC VDE and 20A/300V AC UL
- UL498 & UL50E Certification No. E356932
- VDE Certification No. 40044166



## Product Data Sheet

### Electrical Parameters

Item	Specification
Number of Contacts	2 + PE
Rated Current	16A VDE (20A UL)
Rated Voltage	250V AC VDE (300V AC UL)
Contact Resistance	$\leq 5 \text{ m}\Omega$
Dielectric Strength	4000V DC (1600V/min AC UL)
Insulation Resistance 绝缘电阻	$> 1000 \text{ M}\Omega$

### Mechanical Parameters

Item	Specification
Service Life	$> 1000$ mating cycles
Cable Size	$2.5\text{mm}^2$ (12 AWG)



## Product Data Sheet

### Material and Environmental Parameters

Item	Specification
Housing	PA
Contacts	Cu alloy
Contact plating	Au
Flame-retardant grade	UL 94-V0
Temperature range	-30°C ~ +80°C
Protection degree	Waterproof grade IP65 and protection class IP67 for terminal equipment

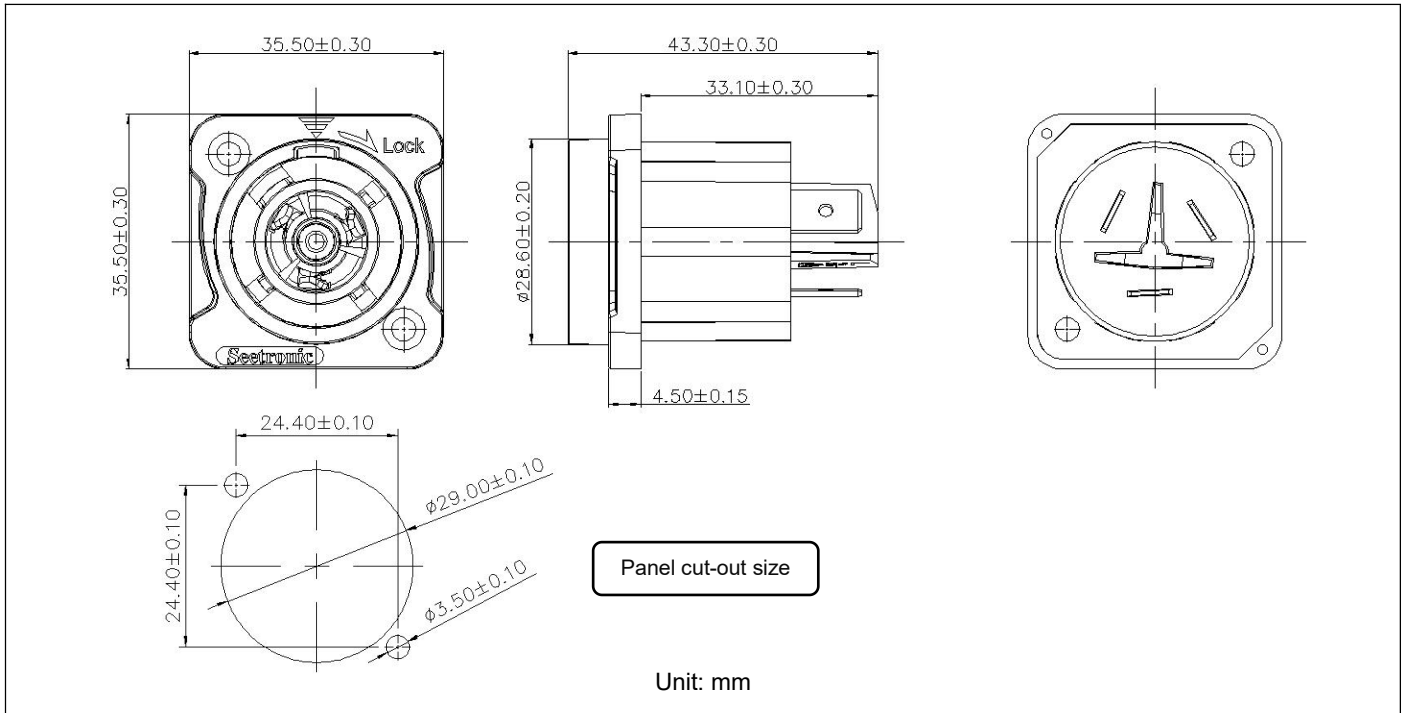
### Standards and Certifications

Standards	UL498   UL50E   IEC61984   IEC60320-1   GB/T 34989
Certifications	UL: E356932 VDE: 40044166 TUV:N8A1083360002 CQC:CQC23003410681



## Product Data Sheet

### Product Drawing



### Packaging Method

Blister box packaging (only include the socket body, waterproof rubber is not included and need to be purchased separately)

15 pcs per blister box, 60 pcs per inner carton, 5 inner cartons per master carton (300 pcs per master carton)

### Accessory

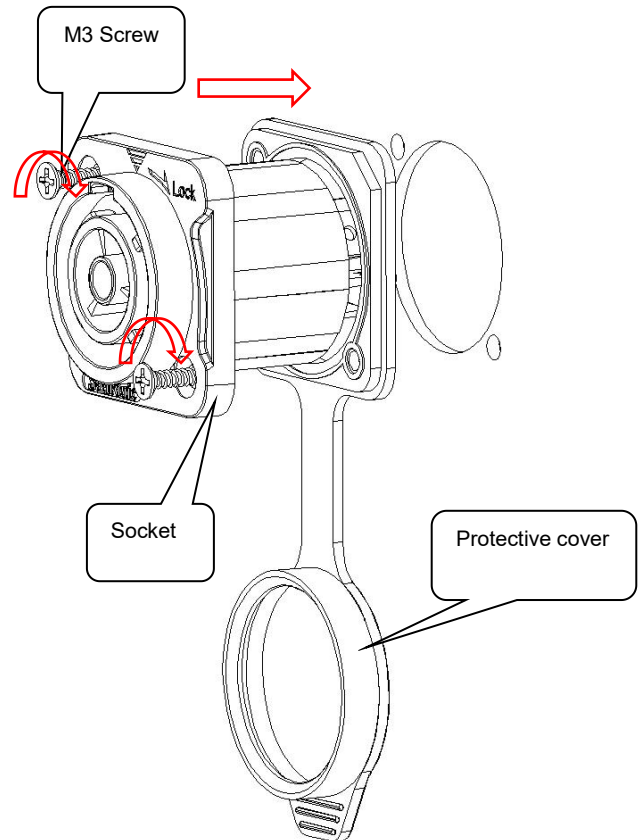
- |  |  |
|--|--|
| <input checked="" type="checkbox"/> No accessories | <input type="checkbox"/> Back fastener plate |
| <input type="checkbox"/> Screws and Nuts           | <input type="checkbox"/> Other               |



## Product Data Sheet

### Assembly Instructions

Put the protective cover on the rear side of the socket and then install on the front of the panel. Finally, tighten the screws with 0.5 Nm torque in clockwise direction.



Type of Terminals

